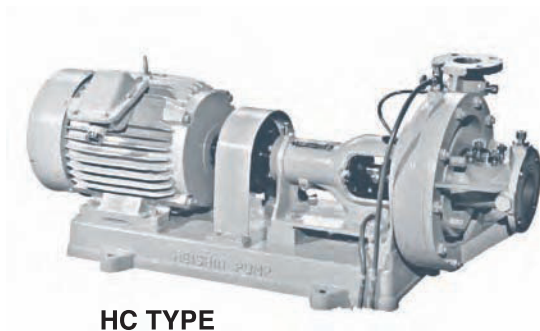


CENTRIFUGAL PUMP

HC Model



HC TYPE

用途/Service

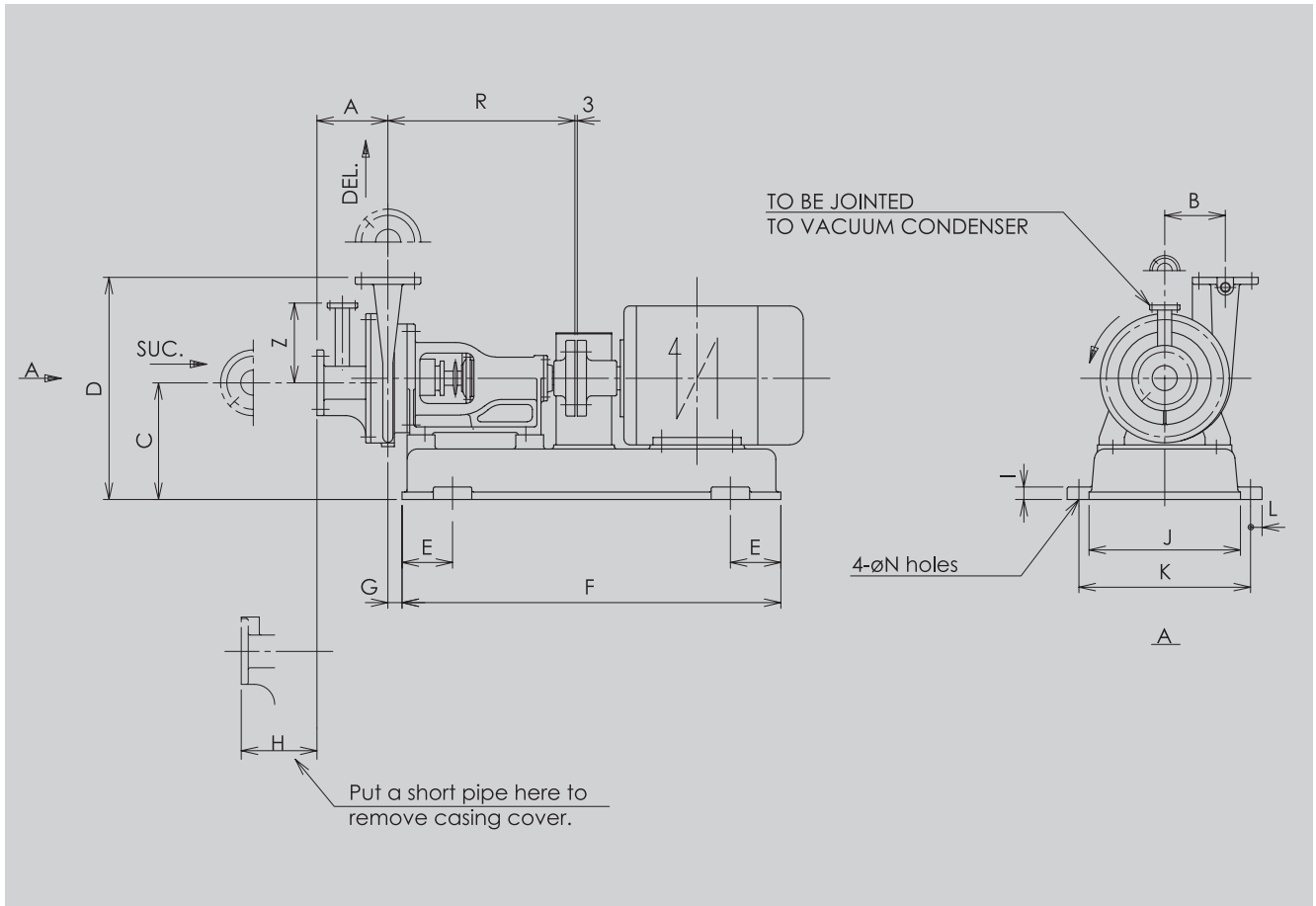
* 復水ポンプ

* Condensate Pump

OUTLINE DRAWING ▶

PERFORMANCE CHART ▶

HC Model <OUTLINE DRAWING>



Model	Motor (kW)	Bore		A	B	C	D	E	F	G	H	I	J	K	L	N	R	Z	Mass (kg)
		Suc.	Del.																
■ HC-5D	1.5	65	32	180	130	165	315	100	600	30	Min 100	25	200	240	23	15	350	170	55
■ HC-10F	2.2 3.7	100	50	190	155	216	440	120	700	33	Min 100	25	300	340	23	15	428	216	95
■ HC-30F	3.7 5.5	100	50	190	155	216	440	120 150	700 750	33	Min 100	25	300	340	23	15	423	216	95

HC TYPE PERFORMANCE CHART

HORIZONTAL SINGLE STAGE SINGLE SUCTION

