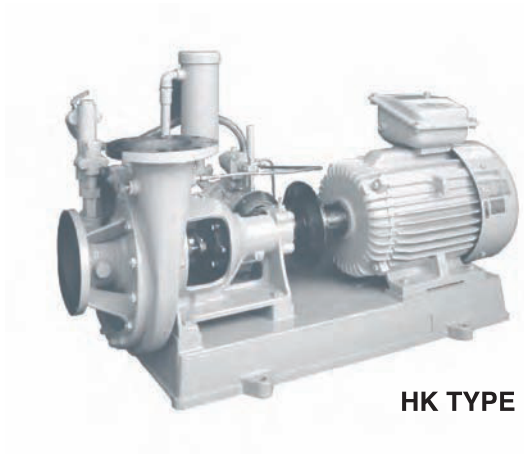


CENTRIFUGAL PUMP

HK Model



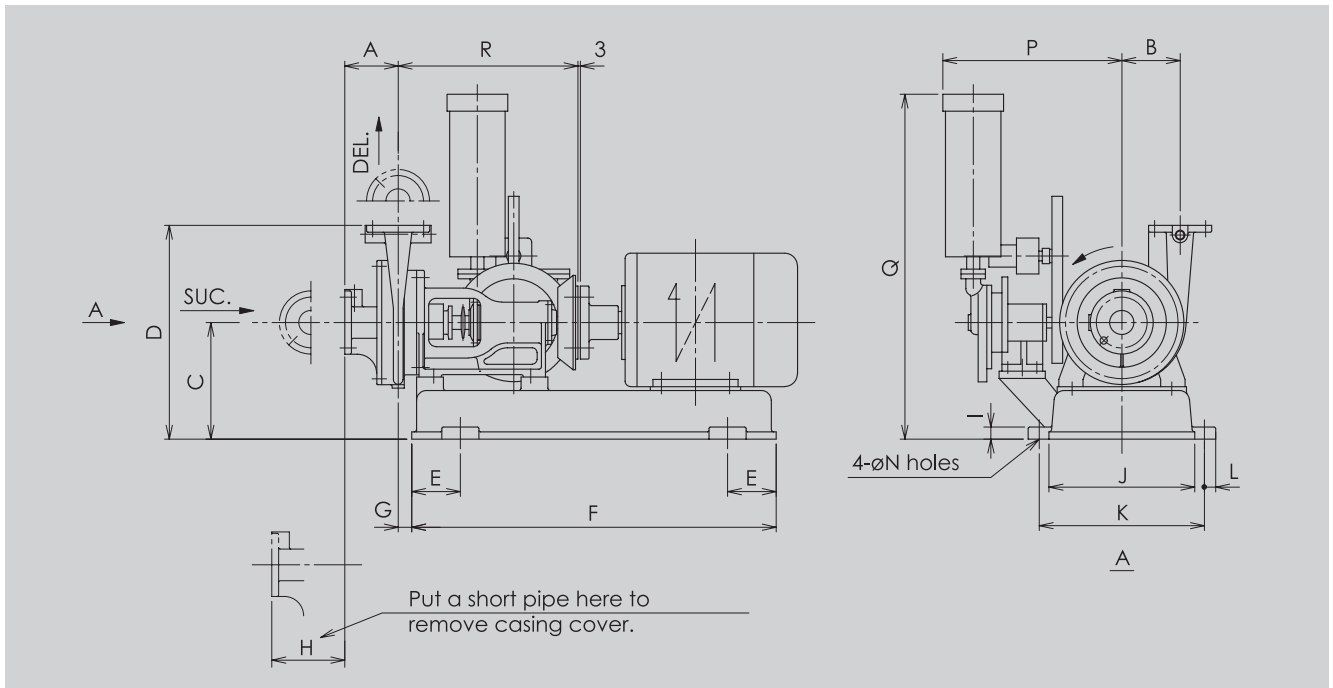
用途/Service

- | | |
|-----------------|-----------------------------|
| * 消防兼雑用ポンプ | * Fire & G. S. Pump |
| * 消防兼ビルジバラストポンプ | * Fire & Bilge Ballast Pump |
| * その他 | * Others |

OUTLINE DRAWING ▶

PERFORMANCE CHART ▶

HK Model <OUTLINE DRAWING>



Model	Motor (kW)	Bore		A	B	C	D	E	F	G	H	I	J	K	L	N	P	Q	R	Vacuum Pump	Mass (kg)		
		Suc.	Del.																				
■ HK-80J	18.5	125	125	156	205	287.5	590	200	1020	35	Min	30	390	430	25	23	320	765	480	KV-50	270		
	22										100												
■ HK-100M	26	125	10k	150	240	310	630	200	1150	60	Min	30	450	500	25	23	356	775	555	KV-50	300		
	30		125			335	655																
	37																						
■ HK-120J	22	150	150	160	230	302.5	610	200	1150	60	Min	30	450	500	25	23	356	775	555	KV-50	290		
	26																						
	30																						
■ HK-190K	37	200	10k	158	235	350	695	250	1370	73	Min	30	490	550	28	23	356	840	760	KV-50	420		
	45		200			375	720	250	1400	73								530				590	865
	55																						

HK TYPE PERFORMANCE CHART

HORIZONTAL SINGLE STAGE SINGLE SUCTION (For Two Purposes)

