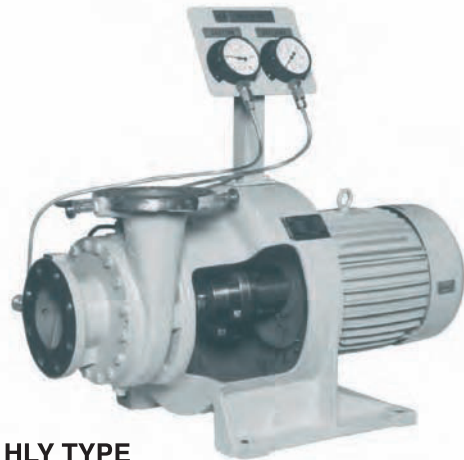


CENTRIFUGAL PUMP

HLY Model



HLY TYPE

用途/Service

- | | |
|----------|-----------------------|
| * 清水ポンプ | * Fresh Water Pump |
| * 飲料水ポンプ | * Drinking Water Pump |
| * その他 | * Others |

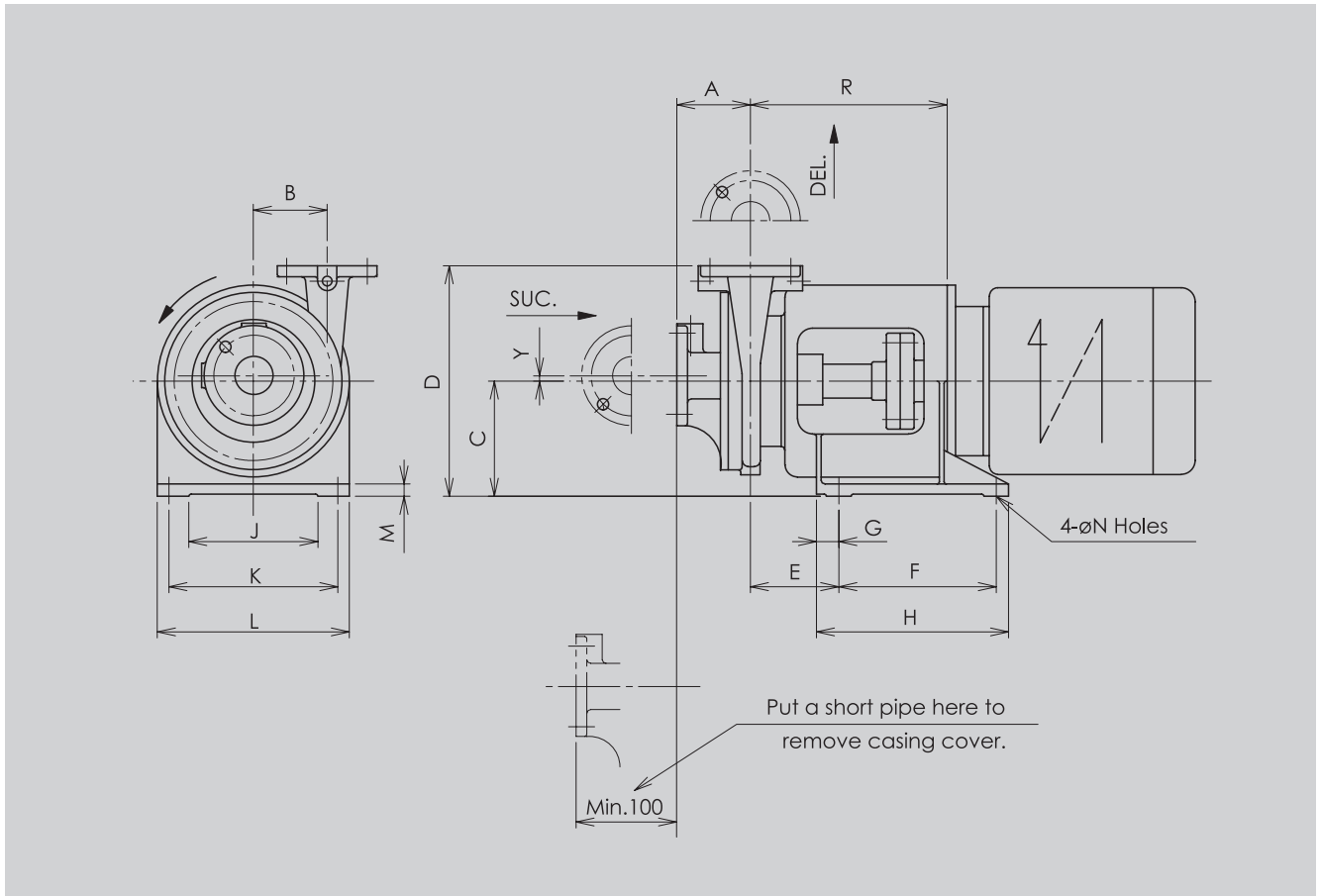
特徴/Note

- | | |
|-------------------|---|
| * 横置き、縦型壁掛式の兼用モデル | * This model is available for both Horizontal and Vertical wall mount installation. |
|-------------------|---|

OUTLINE DRAWING ▶

PERFORMANCE CHART ▶

HLY Model <OUTLINE DRAWING>



Model	Bore		A	B	C	D	E	F	G	H	J	K	L	M	N	R	Y	Mass (kg)
	Suc.	Del.																
■ HLY-5L	32	32	96	95	150	300	115	205	29	250	168	220	250	16	15	256	6.5	40
■ HLY-25M	65	65	120	120	235	445	145	335	42.5	400	284	355	400	22	23	328	9.5	80
■ HLY-55M	100	100	135	120	235	445	145	335	42.5	400	284	355	400	22	23	328	-4	121
■ HLK-90E	125	125	130	120	235	415	150	335	42.5	400	284	355	400	22	23	333	0	180

HLY TYPE PERFORMANCE CHART

HORIZONTAL SINGLE STAGE SINGLE SUCTION

