



HP SERIES

PISTON PUMP

HP Series

Service

- * Bilge Pump
- * Sludge Pump
- * etc.

Note:

- * Simple structure and Easy maintenance.
- * Pressure adjust valve (relief valve): fitted in.
- * Light weight and High performance.

(05A)

OUTLINE DRAWING ▶

PERFORMANCE CHART ▶

(1A)

OUTLINE DRAWING ▶

PERFORMANCE CHART ▶

(2A)

OUTLINE DRAWING ▶

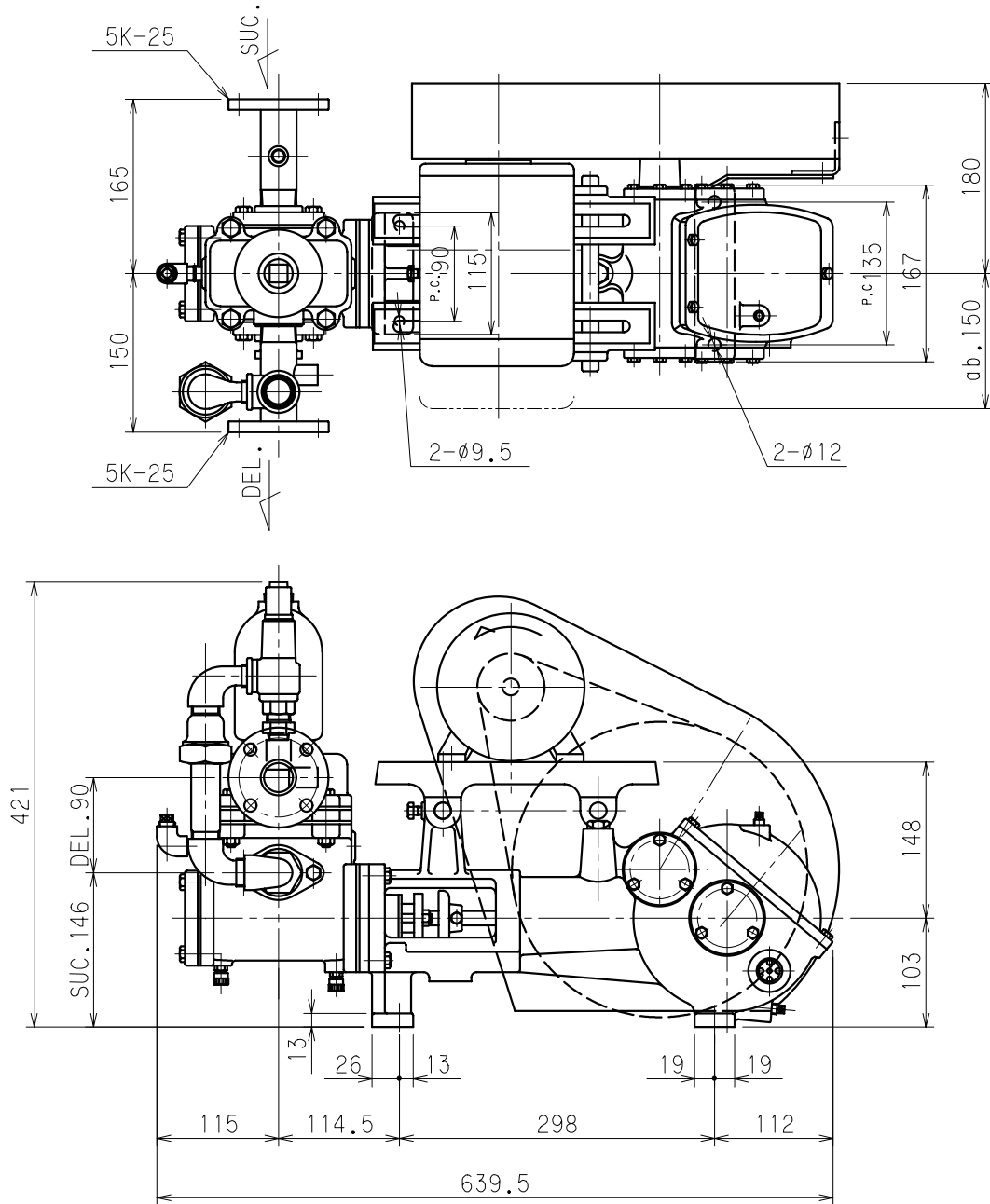
PERFORMANCE CHART ▶

(3A)

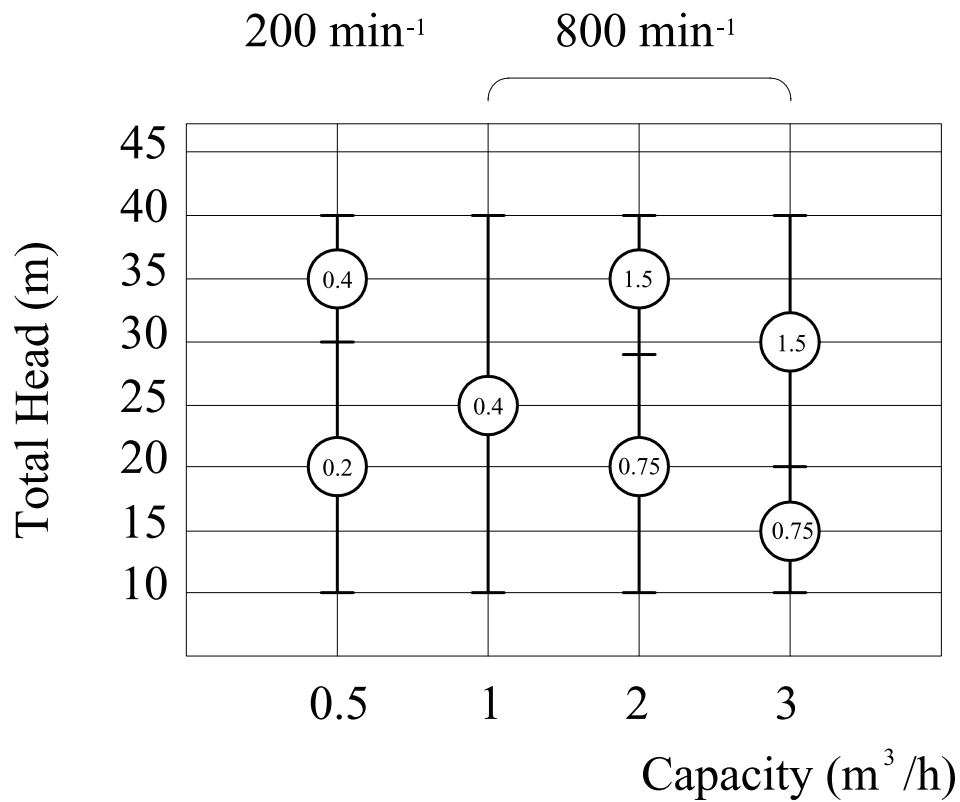
OUTLINE DRAWING ▶

PERFORMANCE CHART ▶

HP-1A <OUTLINE DRAWING>



HP-1A <PERFORMANCE CHART>



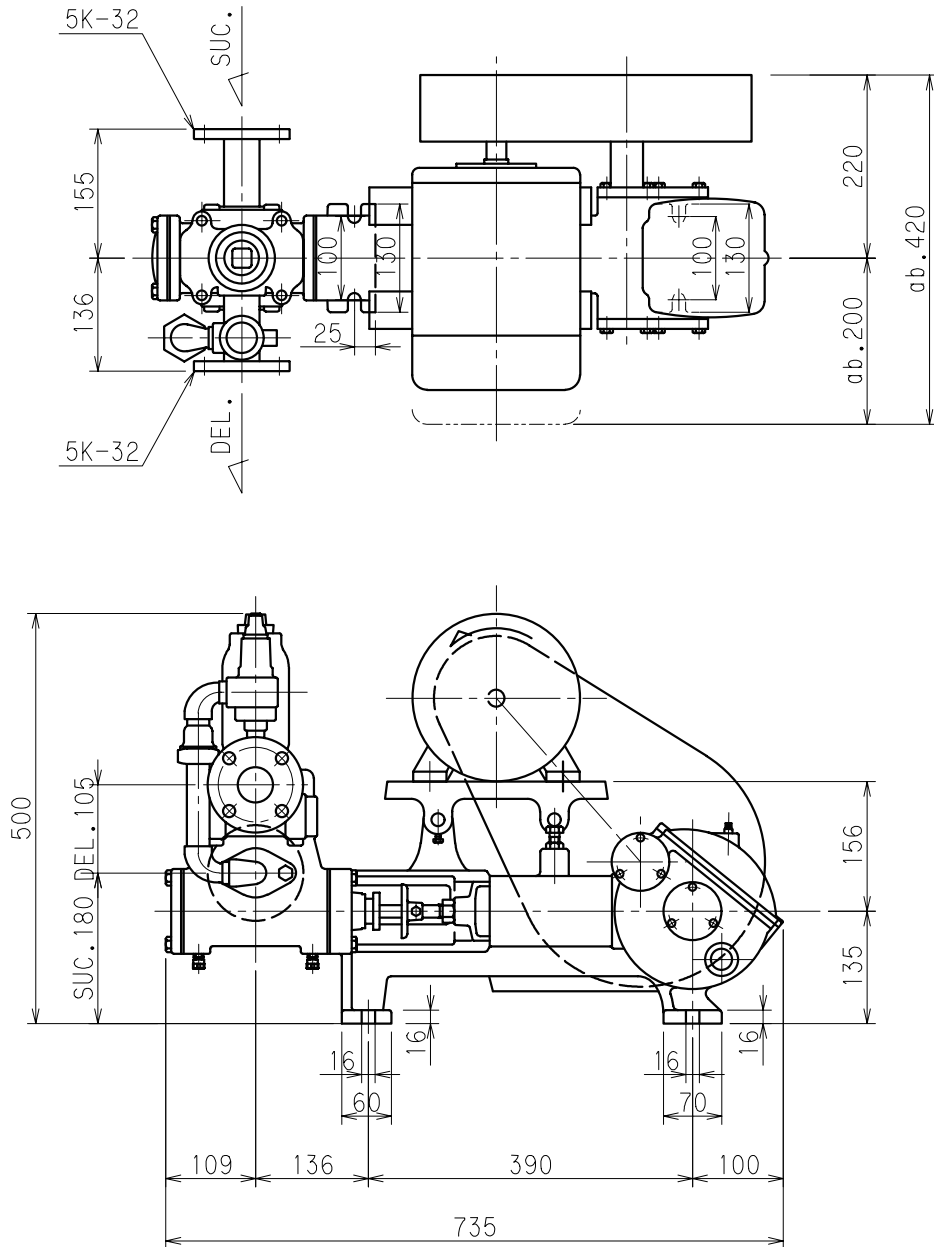
Model HP-05A HP-1A HP-2A HP-3A

Suction Head Max.

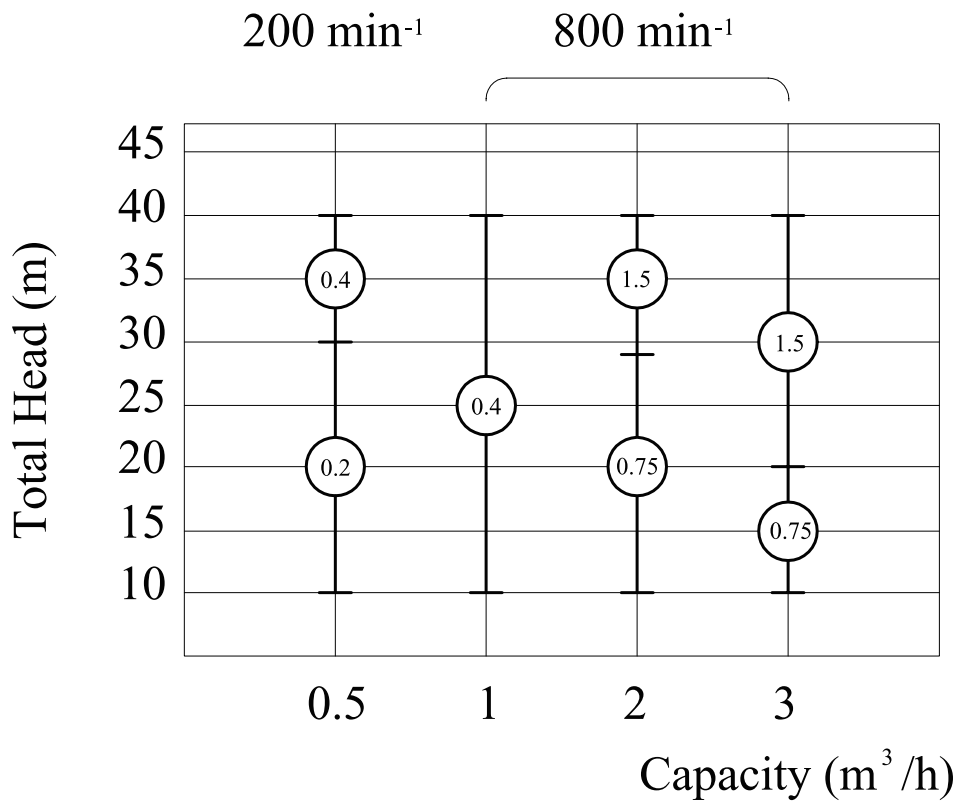
HP-05A : -3m

HP-1A~3A : -5m

HP-2A <OUTLINE DRAWING>



HP-2A <PERFORMANCE CHART>



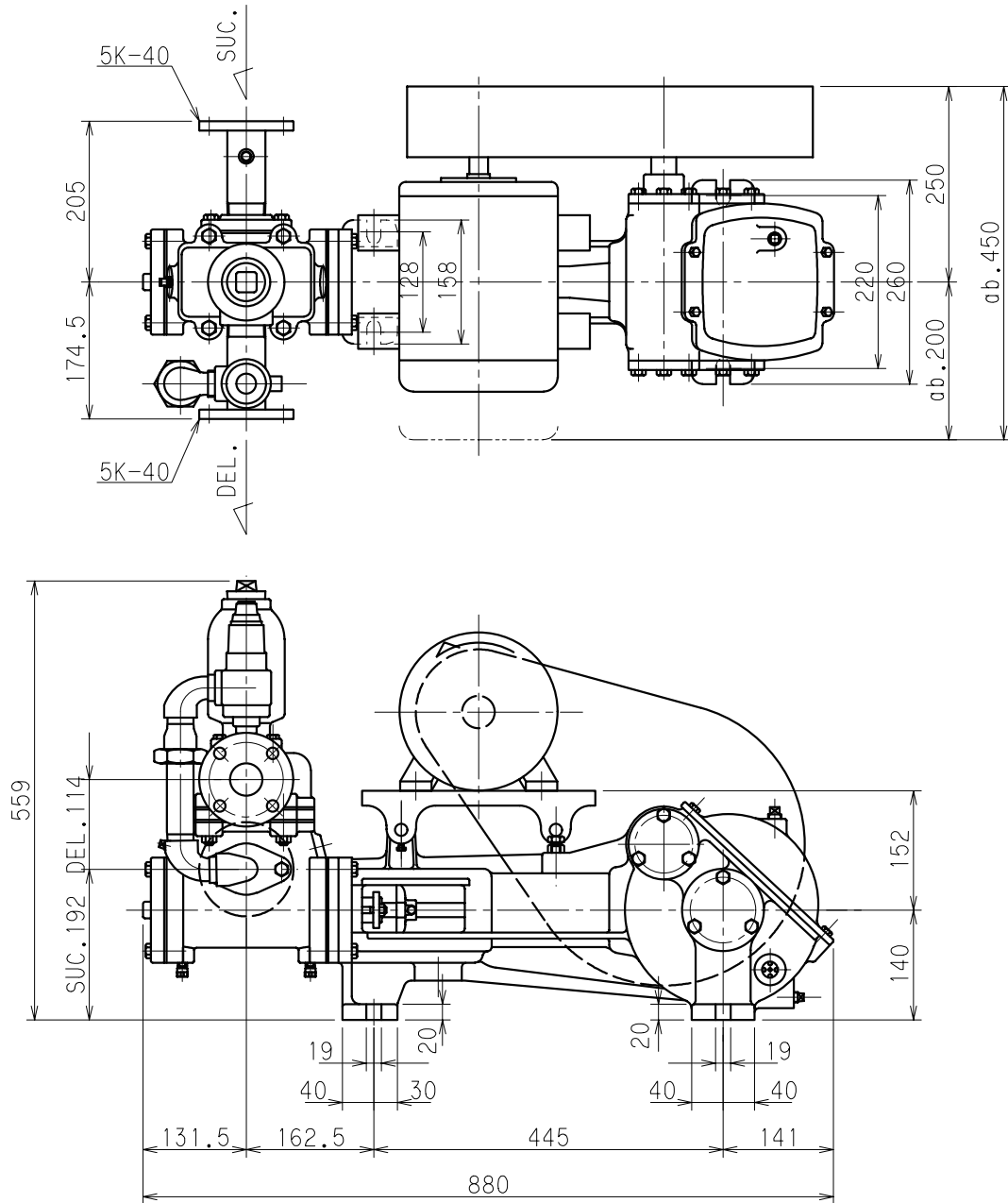
Model HP-05A HP-1A HP-2A HP-3A

Suction Head Max.

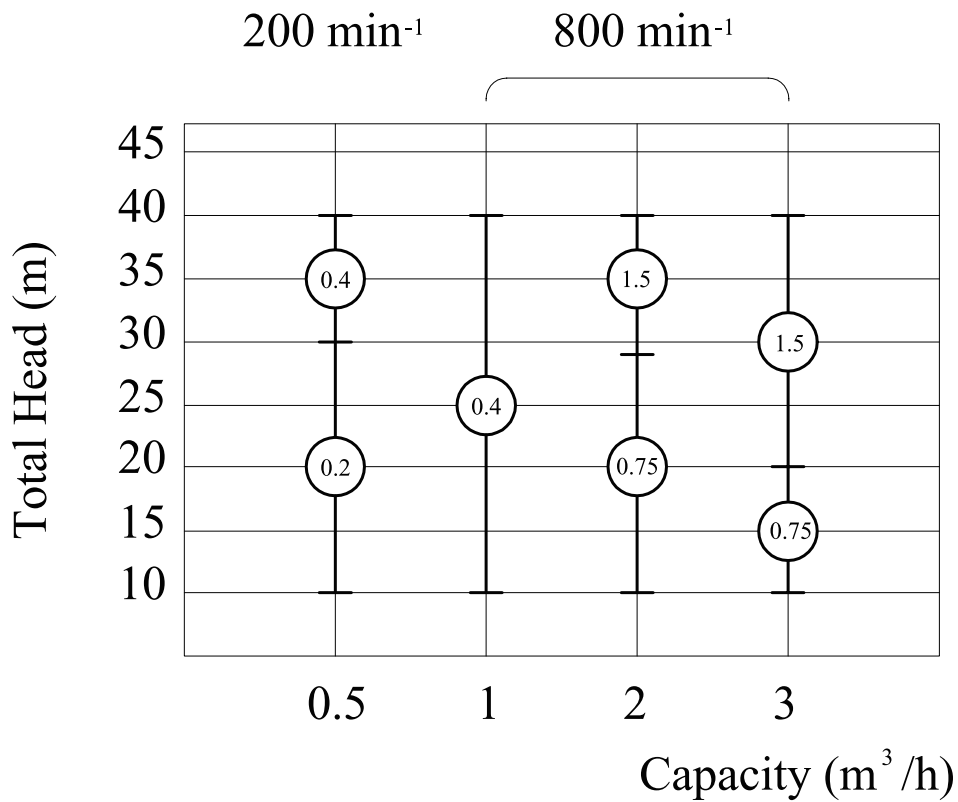
HP-05A : -3m

HP-1A~3A : -5m

HP-3A <OUTLINE DRAWING>



HP-3A <PERFORMANCE CHART>



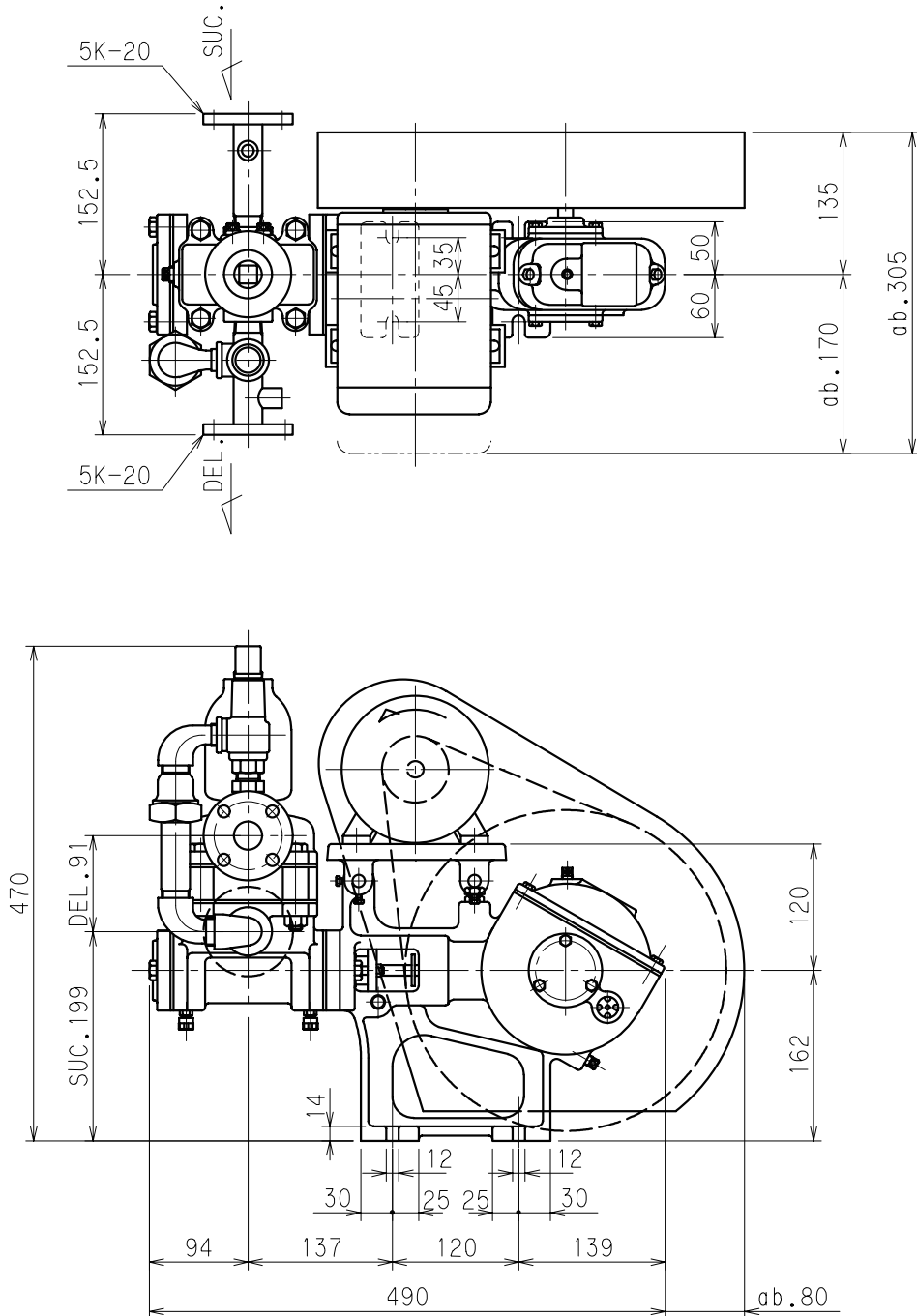
Model HP-05A HP-1A HP-2A HP-3A

Suction Head Max.

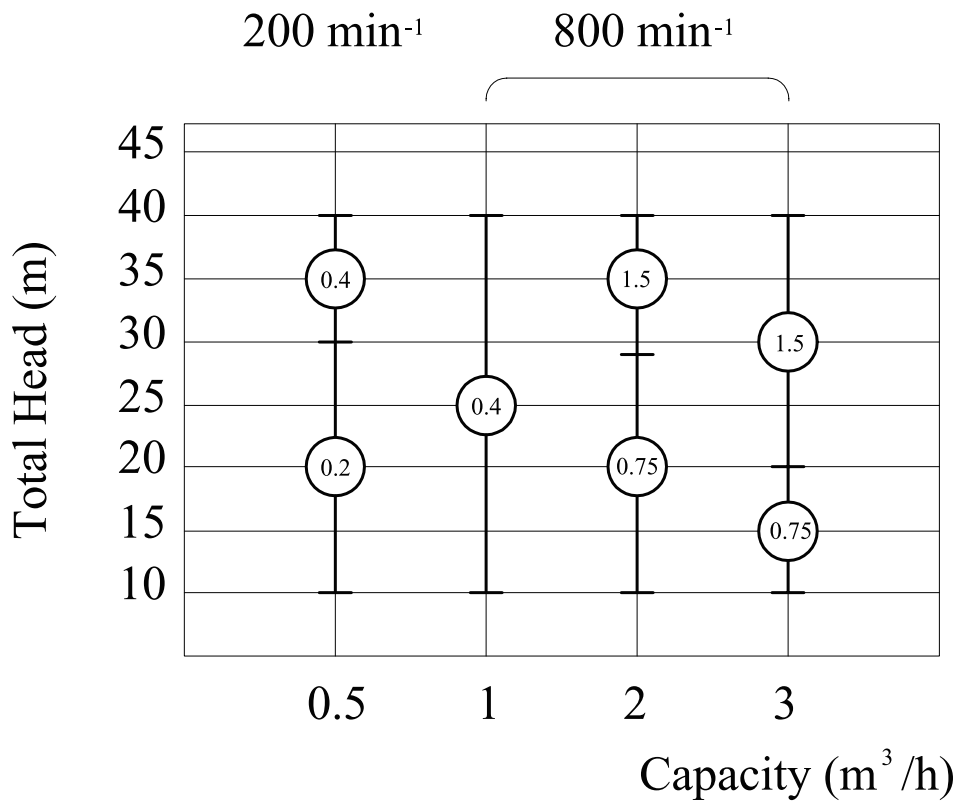
HP-05A : -3m

HP-1A~3A : -5m

HP-05A <OUTLINE DRAWING>



HP-05A <PERFORMANCE CHART>



Model HP-05A HP-1A HP-2A HP-3A

Suction Head Max.

HP-05A : -3m

HP-1A~3A : -5m