



MV TYPE

# GEAR PUMP

---

## MV Model

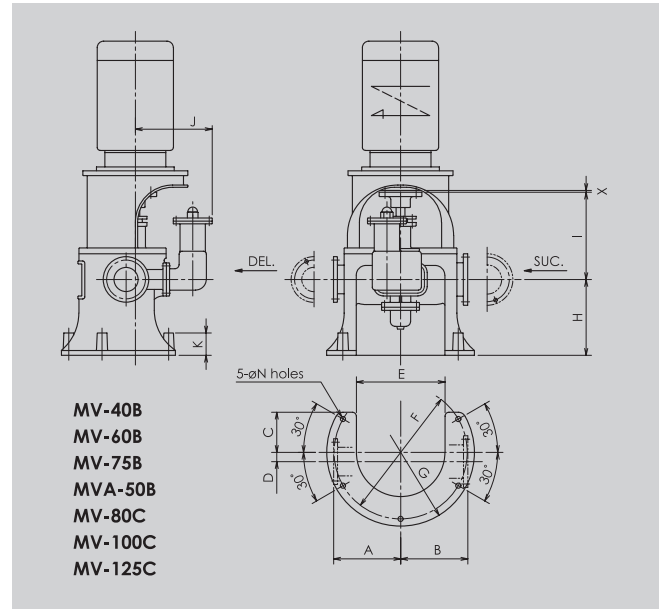
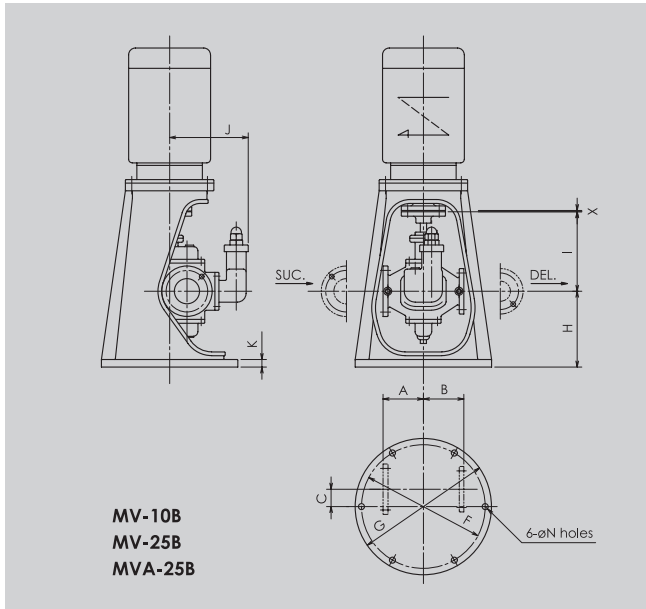
### 用途/Service

- |            |                                 |
|------------|---------------------------------|
| * 燃料油移送ポンプ | * Fuel Oil Transfer Pump        |
| * 潤滑油移送ポンプ | * Lubricating Oil Transfer Pump |
| * その他      | * Others                        |

**OUTLINE DRAWING** ▶

**PERFORMANCE CHART** ▶

# MV Model <OUTLINE DRAWING>

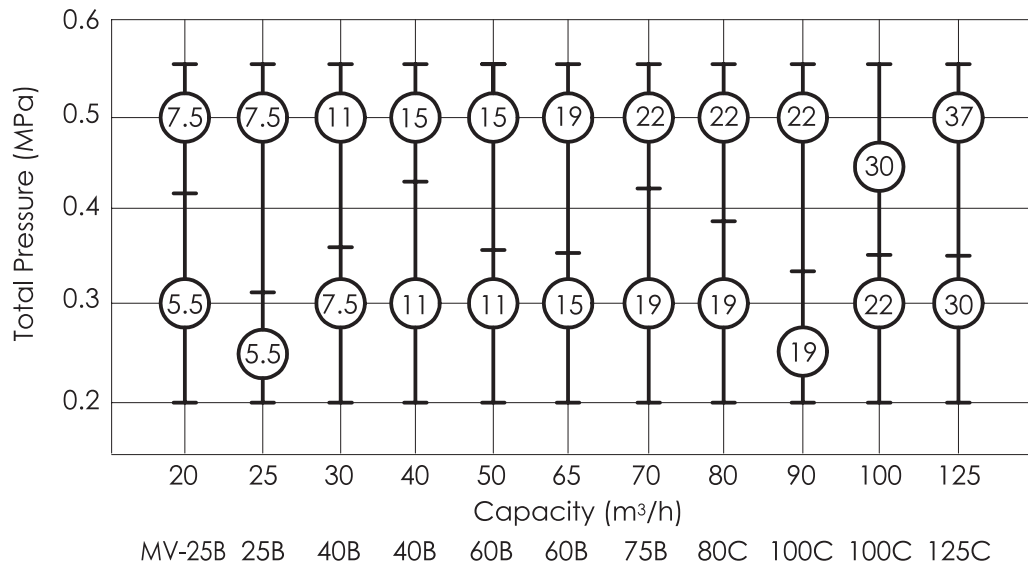


Model	Bore		A	B	C	F	G	H	I	J	K	N	X	Mass (kg)
	Suc.	Del.												
<b>MV-10B</b>	80	65	140	140	50	475	525	250	245	280	20	23	3	130
<b>MV-25B</b>	100	80	160	160	79	490	540	300	315	310	30	23	3	142
<b>MVA-25B</b>	100	80	160	160	79	490	540	300	315	310	30	23	3	142

Model	Bore		A	B	C	D	E	F	G	H	I	J	K	N	X	Mass (kg)
	Suc.	Del.														
<b>MV-40B</b>	125	100	345	345	206	40.5	456	685	760	350	365	355	115	27	3	420
<b>MV-60B</b>	150	125	345	345	206	47.5	456	685	760	390	450	380	115	27	4	490
<b>MV-75B</b>	150	125	405	405	206	47.5	456	685	760	405	465	395	115	27	4	510
<b>MVA-50B</b>	150	125	345	345	206	47.5	456	685	760	390	450	380	115	27	4	490

Model	Bore		A	B	C	D	E	F	G	H	I	J	K	N	X	Mass (kg)
	Suc.	Del.														
<b>MV-80C</b>	150	125	360	360	185	63	530	780	840	420	460	485	80	24	4	700
<b>MV-100C</b>	200	150	430	430	280	54	490	900	1000	730	535	475	125	30	4	930
<b>MV-125C</b>	200	150	430	430	280	58	490	900	1000	730	635	500	125	27	4	1000

## MV TYPE PERFORMANCE CHART



The number in ○mark indicates the out put (kW) of the motor when 260 mm<sup>2</sup>/s oil is used.