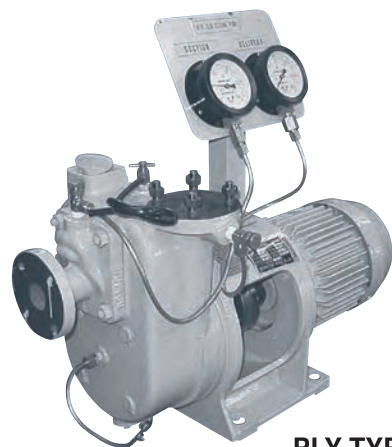


CENTRIFUGAL PUMP

PLY Model



PLY TYPE

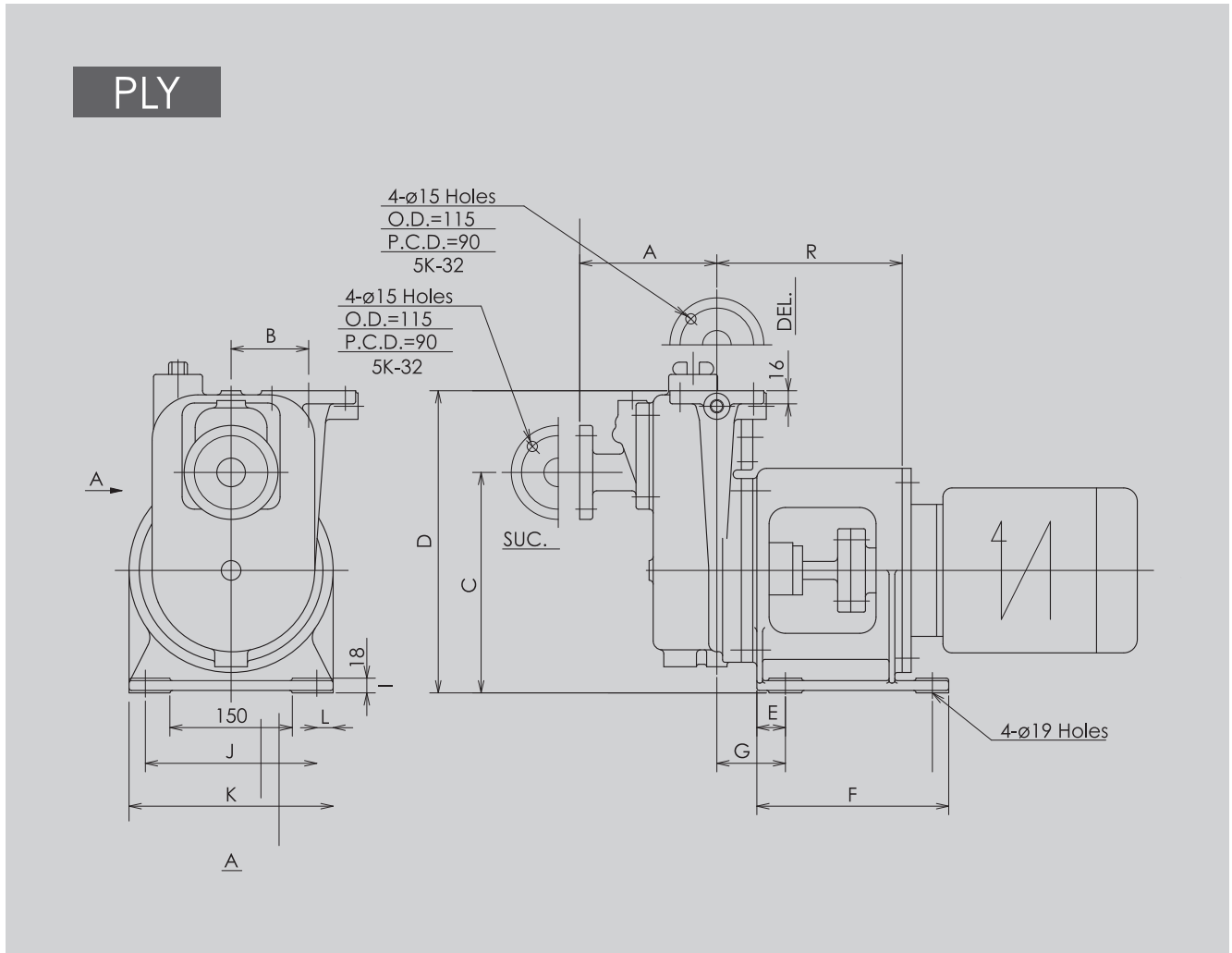
用途/Service

- | | |
|------------|-----------------------|
| * 自給型ポンプ | * Self Priming Pump |
| * 清水ポンプ | * Fresh Water Pump |
| * 飲料水ポンプ | * Drinking Water Pump |
| * サニタリーポンプ | * Sanitary Pump |
| * 冷却水ポンプ | * Cooling Water Pump |
| * その他 | * Others |

OUTLINE DRAWING ▶

PERFORMANCE CHART ▶

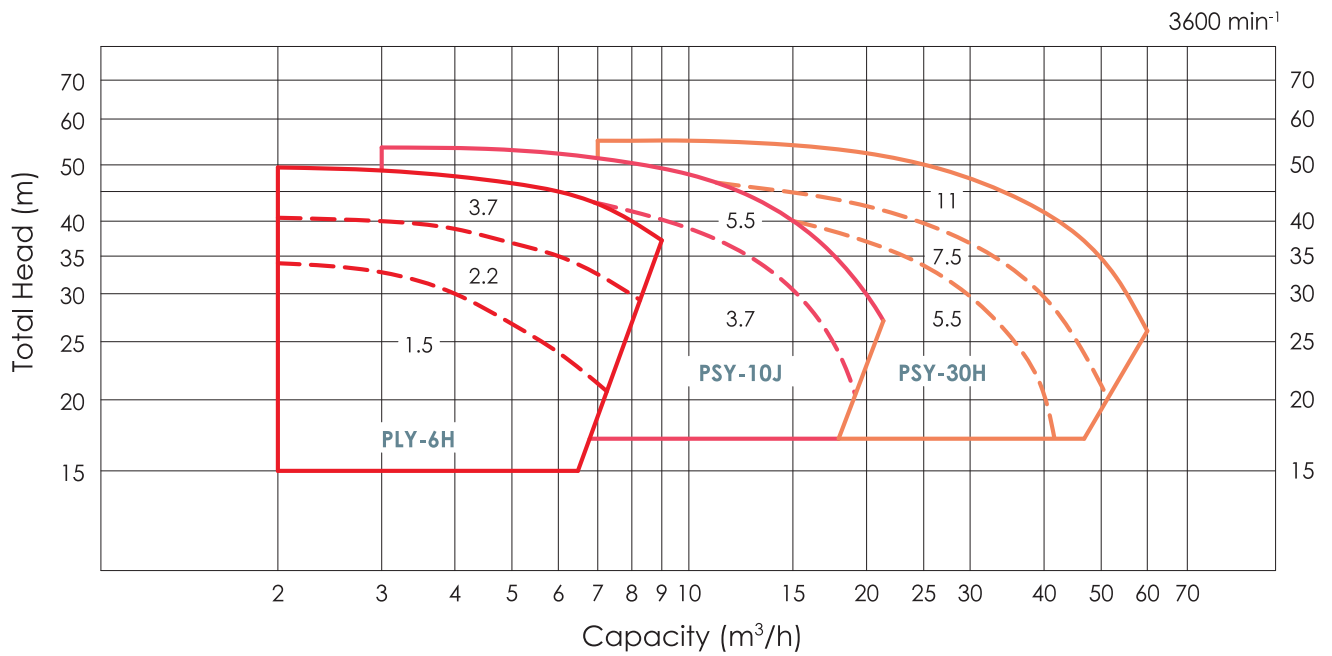
PLY Model <OUTLINE DRAWING>



Model	Motor (kW)	Bore		A	B	C	D	E	F	G	I	J	K	L	N	R	Mass (kg)
		Suc.	Del.														
■ PLY-6H	1.5																
	2.2	32	32	168	95	270	370	35	235	49	18	210	250	20	19	227	75
	3.7																
■ PSY-10J	3.7					310	430	125	700	30	25	300	340	23	15	372	95
	5.5	50	50	195	100	330	450										
■ PSY-30H	5.5					320	460	150	750			300	340	23	15	438	185
	7.5	100	100	225	110					48	25						
	11					345	485	175	860			360	400				

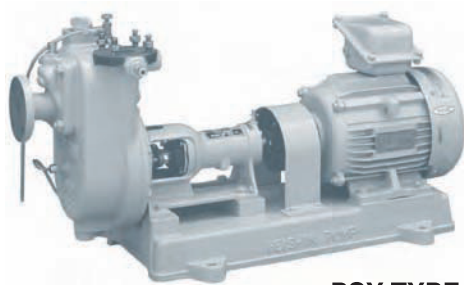
PLY Model <PERFORMANCE CHART>

HORIZONTAL SINGLE STAGE SINGLE SUCTION (Self Priming Type)



CENTRIFUGAL PUMP

PSY Model



PSY TYPE

用途/Service

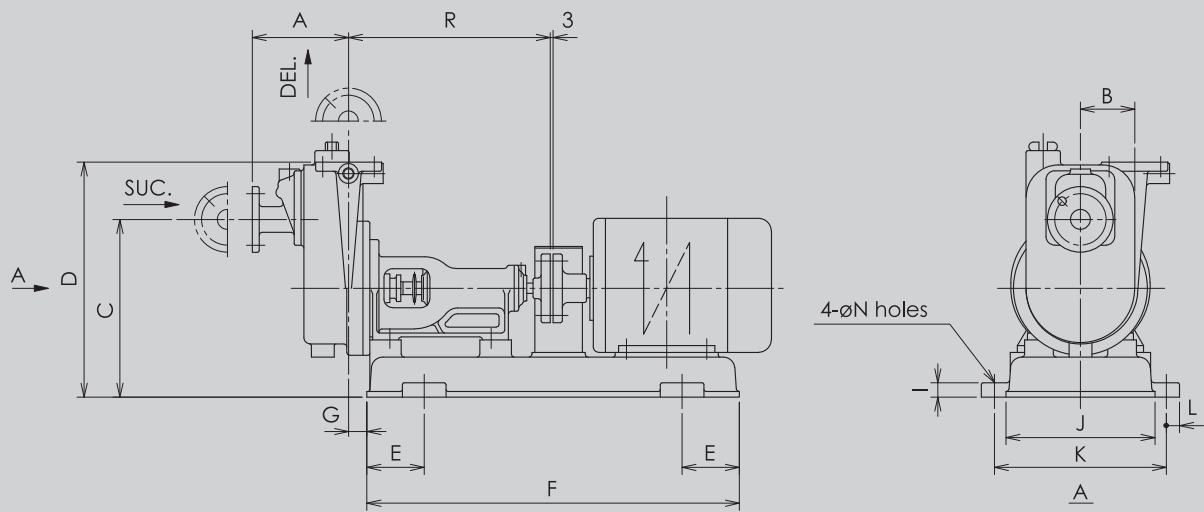
- | | |
|------------|-----------------------|
| * 自給型ポンプ | * Self Priming Pump |
| * 清水ポンプ | * Fresh Water Pump |
| * 飲料水ポンプ | * Drinking Water Pump |
| * サニタリーポンプ | * Sanitary Pump |
| * 冷却水ポンプ | * Cooling Water Pump |
| * その他 | * Others |

OUTLINE DRAWING ▶

PERFORMANCE CHART ▶

PSY Model <OUTLINE DRAWING>

PSY



Model	Motor (kW)	Bore		A	B	C	D	E	F	G	I	J	K	L	N	R	Mass (kg)	
		Suc.	Del.															
■ PLY-6H	1.5																	
	2.2	32	32	168	95	270	370	35	235	49	18	210	250	20	19	227	75	
	3.7																	
■ PSY-10J	3.7					310	430											
	5.5	50	50	195	100	330	450	125	700	30	25	300	340	23	15	372	95	
■ PSY-30H	5.5					320	460	150	750									
	7.5	100	100	225	110	345	485	175	860	48	25	300	340	23	15	438	185	
	11											360	400					

PSY Model <PERFORMANCE CHART>

HORIZONTAL SINGLE STAGE SINGLE SUCTION (Self Priming Type)

