

**PV & PVN SERIES**

# PISTON PUMP

---

## PV & PVN Series

### Service

- \* Bilge Pump
- \* Sludge Pump
- \* Pump-room bilge pump (bulkhead type)
- \* etc.

### Note:

- \* Excellent quality and performance.
- \* Flat valve or ball valve is available.  
(Our standard : Synthetic rubber ball valve)
- \* Applicable for multi-purpose.
- \* Change of material is available according to application.

(PVN-2, 3)

**OUTLINE DRAWING** ▶

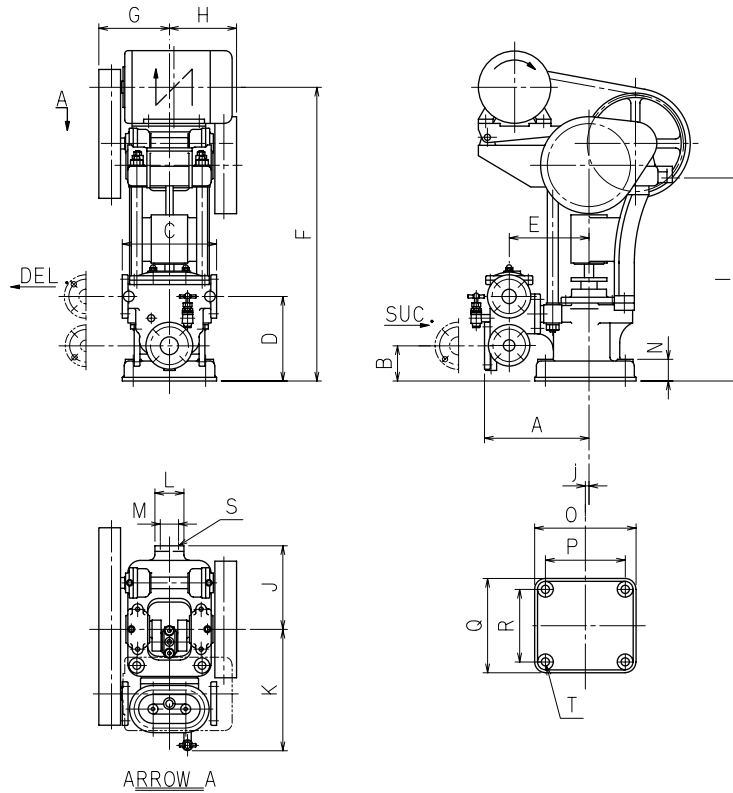
**PERFORMANCE CHART** ▶

(Others)

**OUTLINE DRAWING** ▶

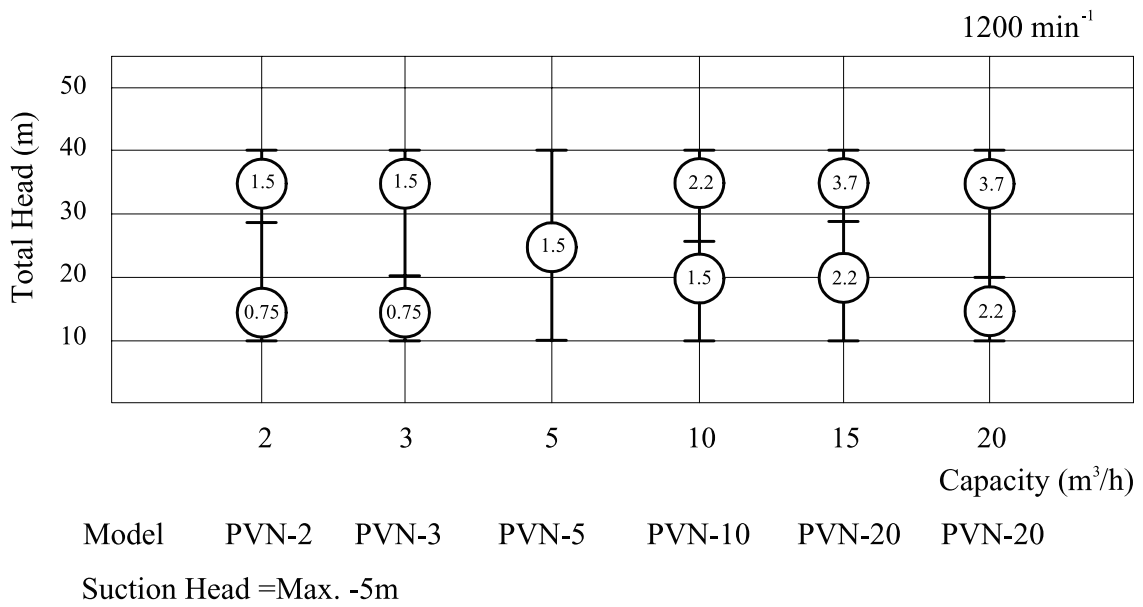
**PERFORMANCE CHART** ▶

# PVN-2 / 3 <OUTLINE DRAWING>

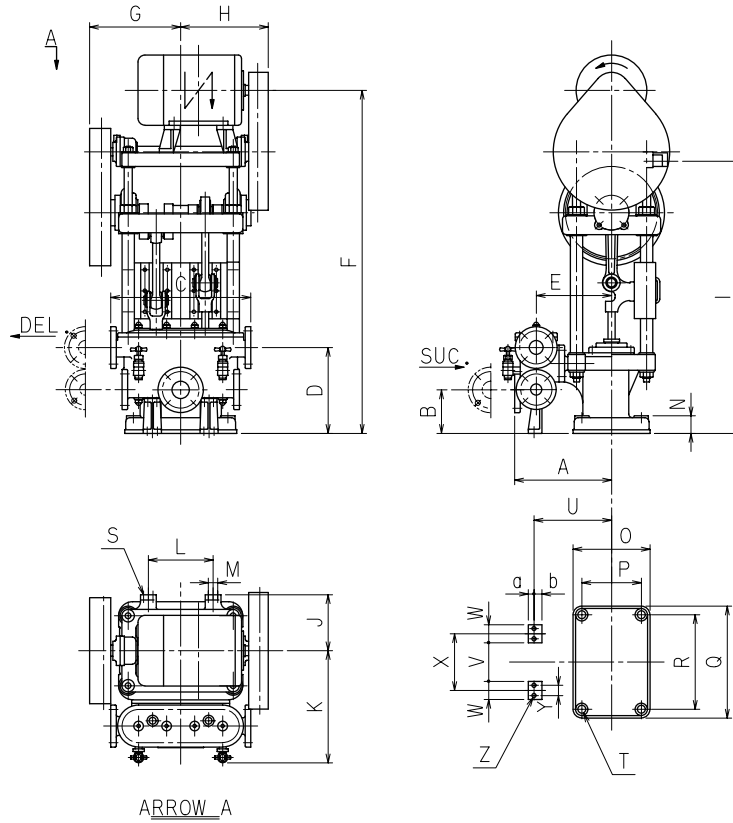


Model	Bore		A	B	C	D	E	F	G	H	I	J	K	L	M	N	O	P	Q	R	S	T	j	Mass (kg)
	Suc.	Del.																						
PVN-2	50	40	288	97	260	233	220	809	200	185	560	335	230	80	50	60	280	220	260	200	2-15	4-23	10	185
PVN-3	50	40	288	97	260	233	220	809	200	185	560	335	230	80	50	60	280	220	260	200	2-15	4-23	10	185

# PVN-2 / 3 <PERFORMANCE CHART>



# PV & PVN (Others) <OUTLINE DRAWING>



Model	Bore		A	B	C	D	E	F	G	H	I	J	K	L	M	N	O	P	Q	R	S	T	U	V	W	X	Y	Z	α	β	Mass (kg)			
	Suc.	Del.																																
<b>PVN-5</b>	50	40	277	124	400	245	215	979.5	260	250	777	160	320	230	200	—	50	220	170	320	270	2-15	4-23	—	—	—	—	—	—	—	—	—	—	270
<b>PVN-10</b>	65	50	355	126	550	291	275	1158.5	290	285	948	200	400	310	230	50	60	260	200	360	300	4-15	4-23	—	—	—	—	—	—	—	—	—	370	
<b>PVN-20</b>	80	65	387	167	600	355	307	1337.5	350	345	1114	250	440	350	250	60	80	336	266	460	390	4-19	4-27	317	140	90	230	50	4-19	25	35	500		



# PV & PVN (Others) <PERFORMANCE CHART>

