

RDY TYPE

CENTRIFUGAL PUMP

RDY Model

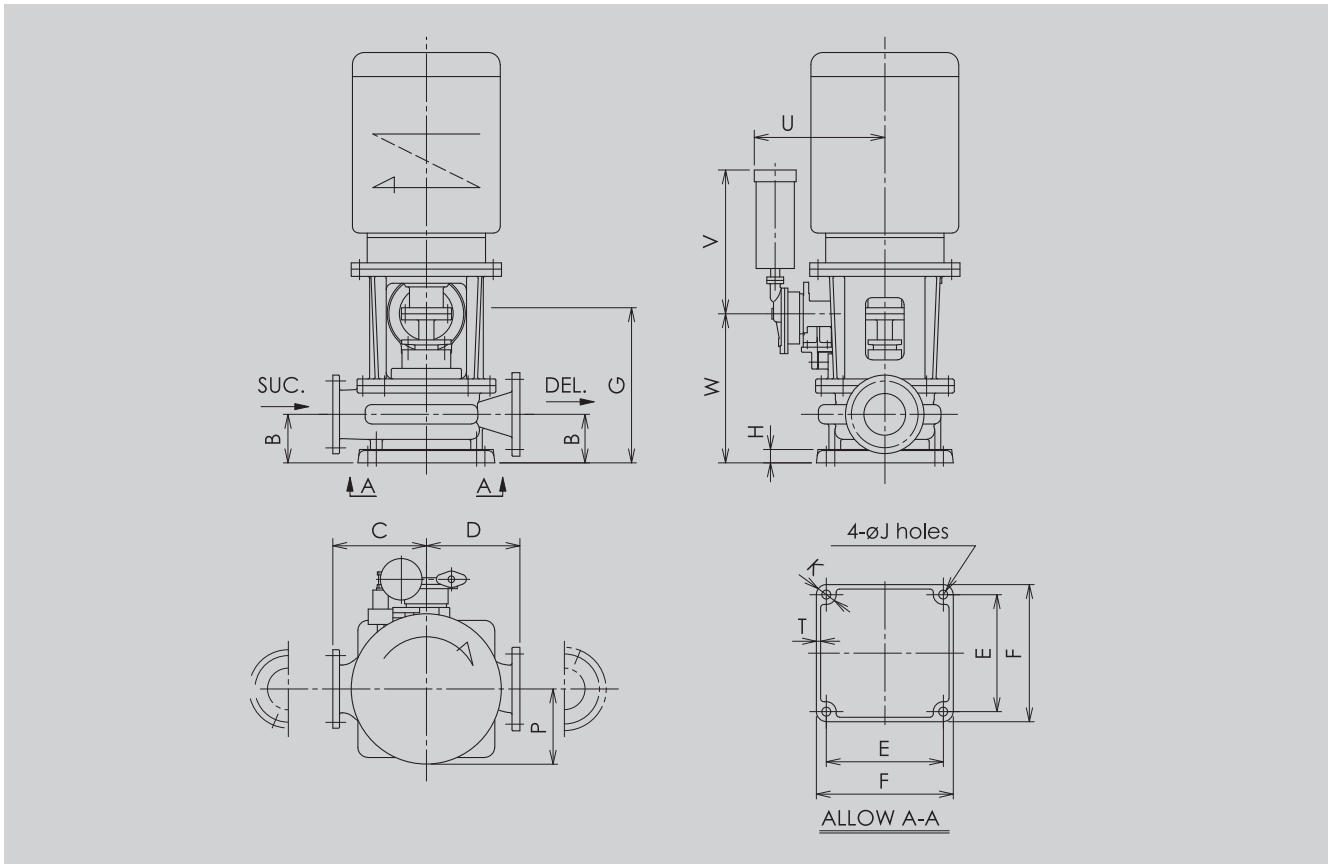
用途/Service

- | | |
|------------------|------------------------------|
| * 消防兼雑用水ポンプ | * Fire & G.S. Pump |
| * 消防兼ビルジ、バラストポンプ | * Fire & Bilge, Ballast Pump |
| * 非常用消防ポンプ | * Emergency Fire Pump |
| * その他 | * Others |

OUTLINE DRAWING ▶

PERFORMANCE CHART ▶

RDY Model <OUTLINE DRAWING>



Model	Bore		B	C	D	E	F	G	H	J	K	P	T	U	V	W	Mass (kg)
	Suc.	Del.															
■ RDY-80R	5K-125	10K-125	145	280	280	350	410	469.5	40	27	60	225	13	400	430	446	230
■ RDY-150R	5K-200	10K-200	180	350	350	430	490	529.5	50	27	60	275	0	470	530	506	400

RDY TYPE PERFORMANCE CHART

VERTICAL SINGLE STAGE DOUBLE SUCTION

