



RVA TYPE

CENTRIFUGAL PUMP

RVA Model

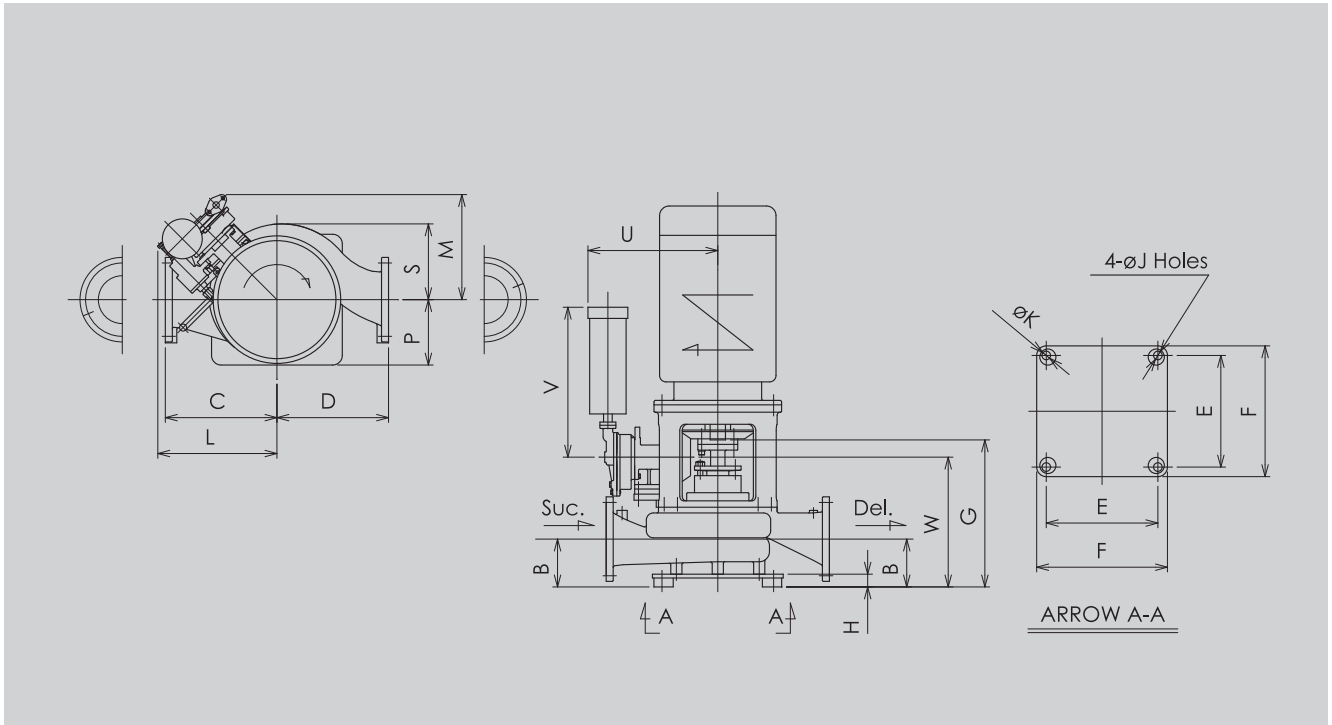
用途/Service

- | | |
|-----------------|-------------------------------|
| * 消防兼ビルジバラストポンプ | * Fire & Bilge, Ballast Pump |
| * 消防兼雑用ポンプ | * Fire & General Service Pump |
| * 海水サービスポンプ | * Sea Water Service Pump |
| * その他 | * Others |

OUTLINE DRAWING ▶

PERFORMANCE CHART ▶

RVA Model <OUTLINE DRAWING>



Model	Bore		B	C	D	E	F	G	H	J	K	P	S	T	U	V	W	Vacuum Pump	Mass (kg)
	Suc.	Del.																	
■ RVA-80JN	100	100	125	350	350	350	410	502.5	40	27	60	275	275	13	385	430	426	KV-18	260
	125	125	140																
■ RVA-140JN	125	125	140	370	370	400	460	549	40	27	60	285	300	13	420	430	465.5	KV-50	310
	150	150	150																
■ RVA-200JN	150	150	155	400	400	430	490	599.5	50	27	60	310	335	13	420	430	516	KV-50	415
	200	200	175																
■ RVA-280JN	200	200	190	400	400	430	490	692.5	50	27	60	310	335	13	445	430	596	KV-50	495
	250	250	220																

RVA TYPE PERFORMANCE CHART

VERTICAL SINGLE STAGE SINGLE SUCTION (For Two Purposes)

1800 min⁻¹

