



CENTRIFUGAL PUMP

VC Model

用途/Service

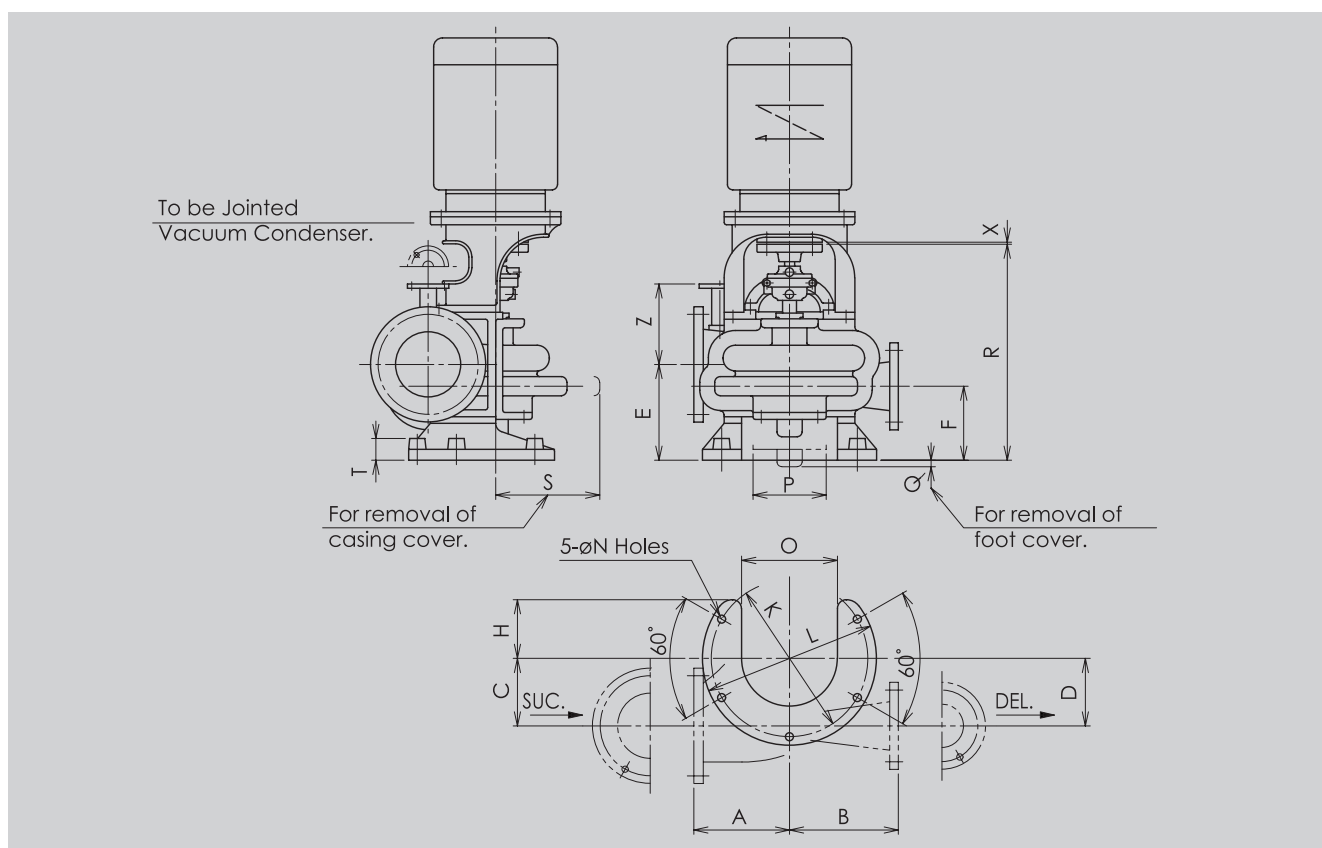
* 復水ポンプ

* Condensate Pump

OUTLINE DRAWING ▶

PERFORMANCE CHART ▶

VC Model <OUTLINE DRAWING>



Model	Bore		A	B	C	D	E	F	H	K	L	N	O	P	Q	R	S	T	X	Z	Mass (kg)
	Suc.	Del.																			
■ VC-10F	5K-100	5K-50	250	200	135	155	255	170	135	360	400	19	220	—	—	495	Min 300	50	3	150	130
■ VC-30F	5K-125	5K-65	300	250	155	155	240	170	135	360	400	19	220	168	Min 10	496	Min 295	50	3	190	130
■ VC-55D	5K-150	5K-100	220	250	155	155	220	170	135	360	400	19	220	168	Min 10	496	Min 295	50	3	190	130
■ VC-70G	5K-250	5K-125	320	300	210	175	440	240	150	420	475	19	270	218	Min 10	713	Min 330	60	3	225	215

VC TYPE PERFORMANCE CHART

VERTICAL SINGLE STAGE SINGLE SUCTION

1800 min⁻¹

